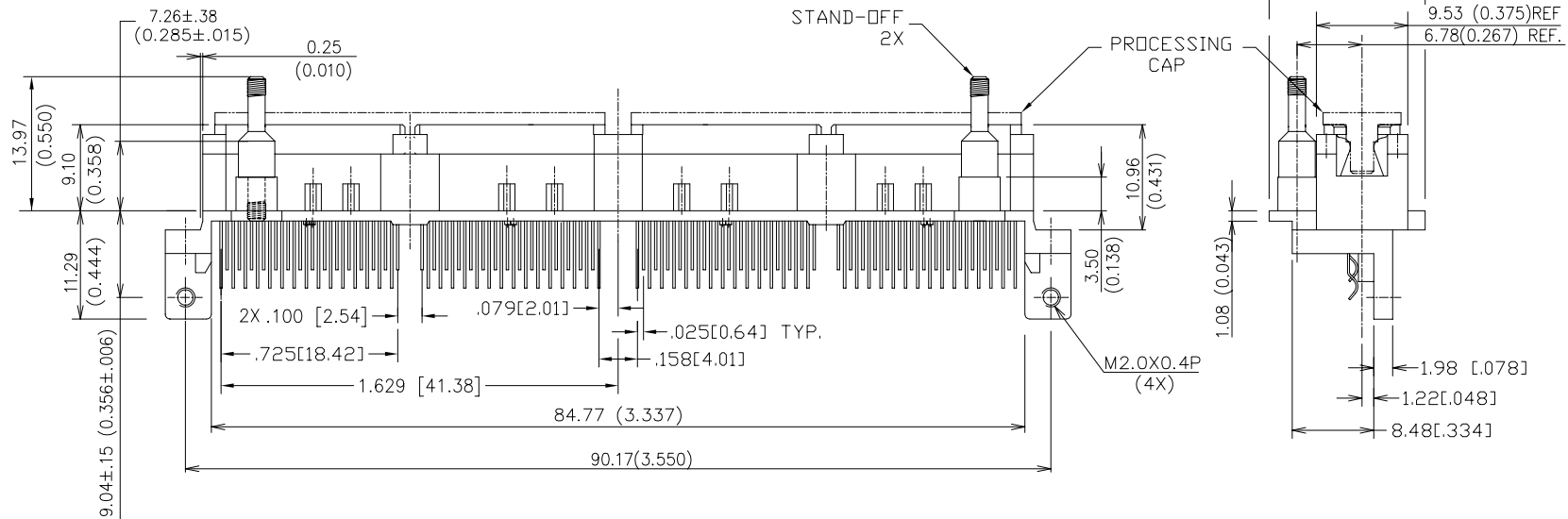
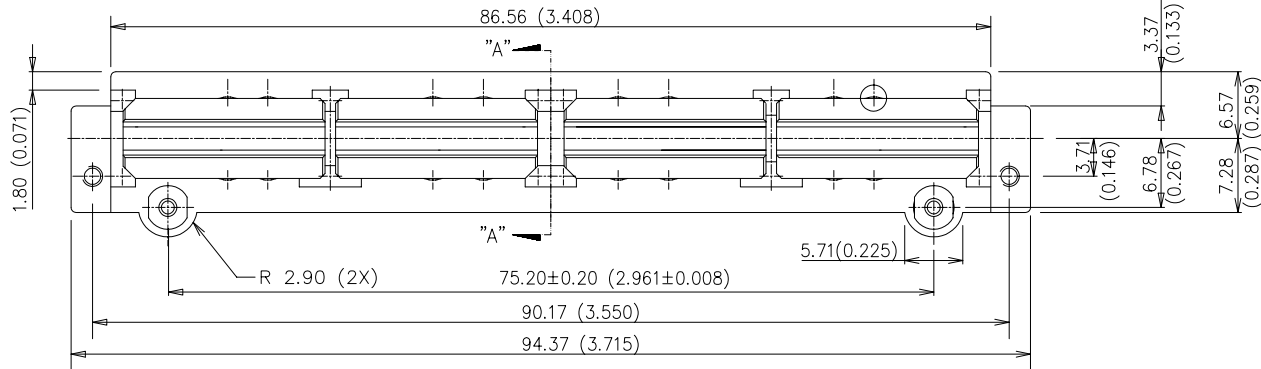


PRODUCT NO.
74814-001
74814-001LF



WAS SK-39558



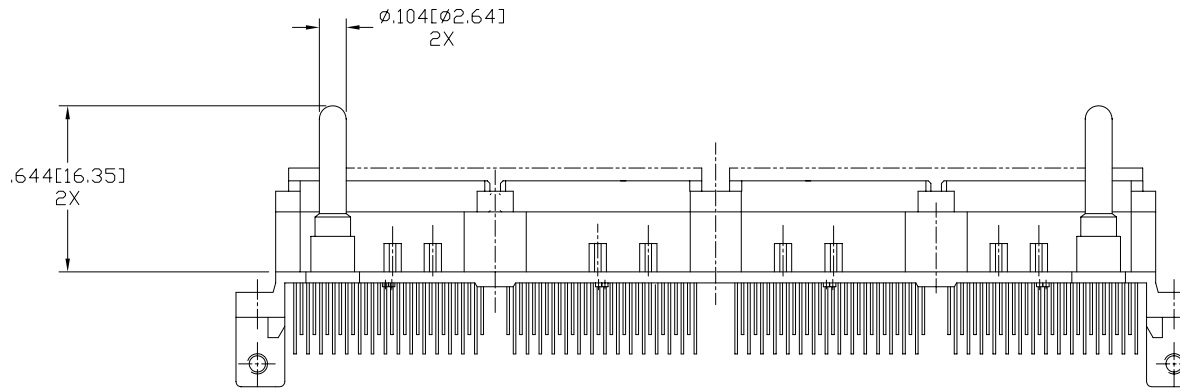
FCIconnect.com

Copyright FCI

mat'l. code		surface		tolerance		projection		product family	
NOTE 1		ISO 1302 ✓		ISO 406 ISO 1101				MICROPAX	
ltr		ecn no dr		date		tolerances unless otherwise specified		title	
A	V80453	RGD	3/30/98			.xx±.01/0.3		MICROPAX 240P RECEPT.	
B	V80815	SAR	5/18/98	angles	linear	.xxx±.005/0.13		STRADDLE LONG TAIL	
C	M06-0363	MHT	9/18/06	0'±2'		.xxxx±.0020/0.051		scale 1.5:1	
		dr		RGD		2/9/98		dwg no	
		enr		D.JOHNESCU		2/9/98		sheet 1 of 3 size	
		chr		D.JOHNESCU		2/9/98		74814	
		appd		D.JOHNESCU		2/9/98		A3	
sheet		revision		C		C		type	
index		sheet		1		2		Product Customer Drawing	

form: A3

PRODUCT NO.	GUIDE PIN/STANDOFF
74814-002	YES GUIDE PIN
74814-003	NO
74814-002LF	YES GUIDE PIN
74814-003LF	NO



NOTES:

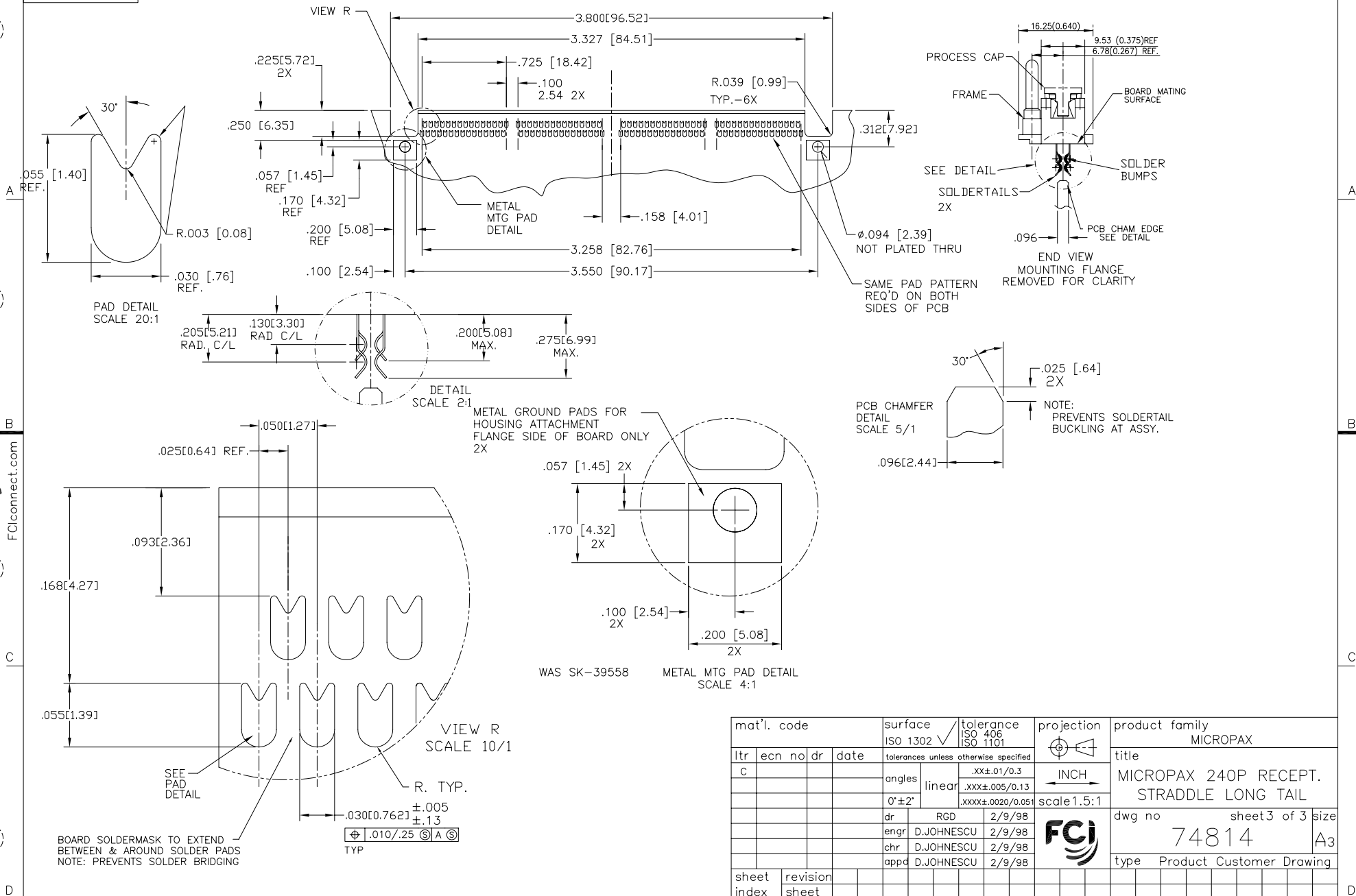
- ① MATERIALS:
 DIELECTRIC: LCP
 CONTACTS: PHOS. BRZ.
 FRAME: ZINC ALLOY #3
- ② PLATING:
 SOLDER TAILS: 150u"/3.81um Sn Pb
 FRAME: 150u"/3.81um Sn
 CONTACT:
 30u"/.76um GXT OVER 50u"/1.27um Ni
LEAD FREE OPTION:
 SOLDER TAILS: 100u"/2.54um Sn
 FRAME: 150u"/3.81um Sn
 CONTACT:
 30u"/.76um GXT OVER 50u"/1.27um Ni
- ③ DO NOT REMOVE PROCESSING CAP UNTIL SOLDERING IS COMPLETED.
- ④ PART NUMBERS WITH LF SUFFIX AT THE END ARE LEAD FREE.
- 8 THE HOUSING WILL WITHSTAND EXPOSURE TO 260°C PEAK TEMPERATURE FOR 20 SECONDS IN A CONVECTION, INFRA-RED OR VAPOR PHASE REFLOW OVEN.
- ⑨ IF "LF" P/N THE PRODUCT MEETS EUROPEAN UNION DIRECTIVES AND OTHER COUNTRY REGULATION AS DECREIBED IN GS-22-008.

74814-002 SHOWN
 SAME AS 74814-001 EXCEPT AS SHOWN

WAS SK-39558

mat'l. code		surface ISO 1302 ✓		tolerance ISO 406 ISO 1101		projection ⊕		product family MICROPAX	
ltr	ecn	no	dr	date		tolerances unless otherwise specified		title	
C						.XX±.01/0.3 .XXX±.005/0.13 .XXX±.0020/0.051		MICROPAX 240P RECEPT. STRADDLE LONG TAIL	
angles		linear		0'±2'		INCH		scale 1.5:1	
dr		RGD		2/9/98		FCJ		dwg no sheet 2 of 3 size	
enr		D.JOHNESCU		2/9/98				74814 A3	
chr		D.JOHNESCU		2/9/98				type Product Customer Drawing	
appd		D.JOHNESCU		2/9/98					
sheet index	revision sheet								

PRODUCT NO.
SEE CHART



FCIconnect.com

Copyright FCI

mat'l. code		surface ISO 1302 ✓		tolerance ISO 406 ISO 1101		projection INCH		product family MICROPAX	
ltr		ecn no		dr		date		title	
C								MICROPAX 240P RECEPT. STRADDLE LONG TAIL	
								scale 1.5:1	
				dr		RGD		2/9/98	
				enfr		D.JOHNESCU		2/9/98	
				chr		D.JOHNESCU		2/9/98	
				appd		D.JOHNESCU		2/9/98	
sheet index		revision sheet						FCI	
								dwg no 74814	
								sheet 3 of 3 size A3	
								type Product Customer Drawing	